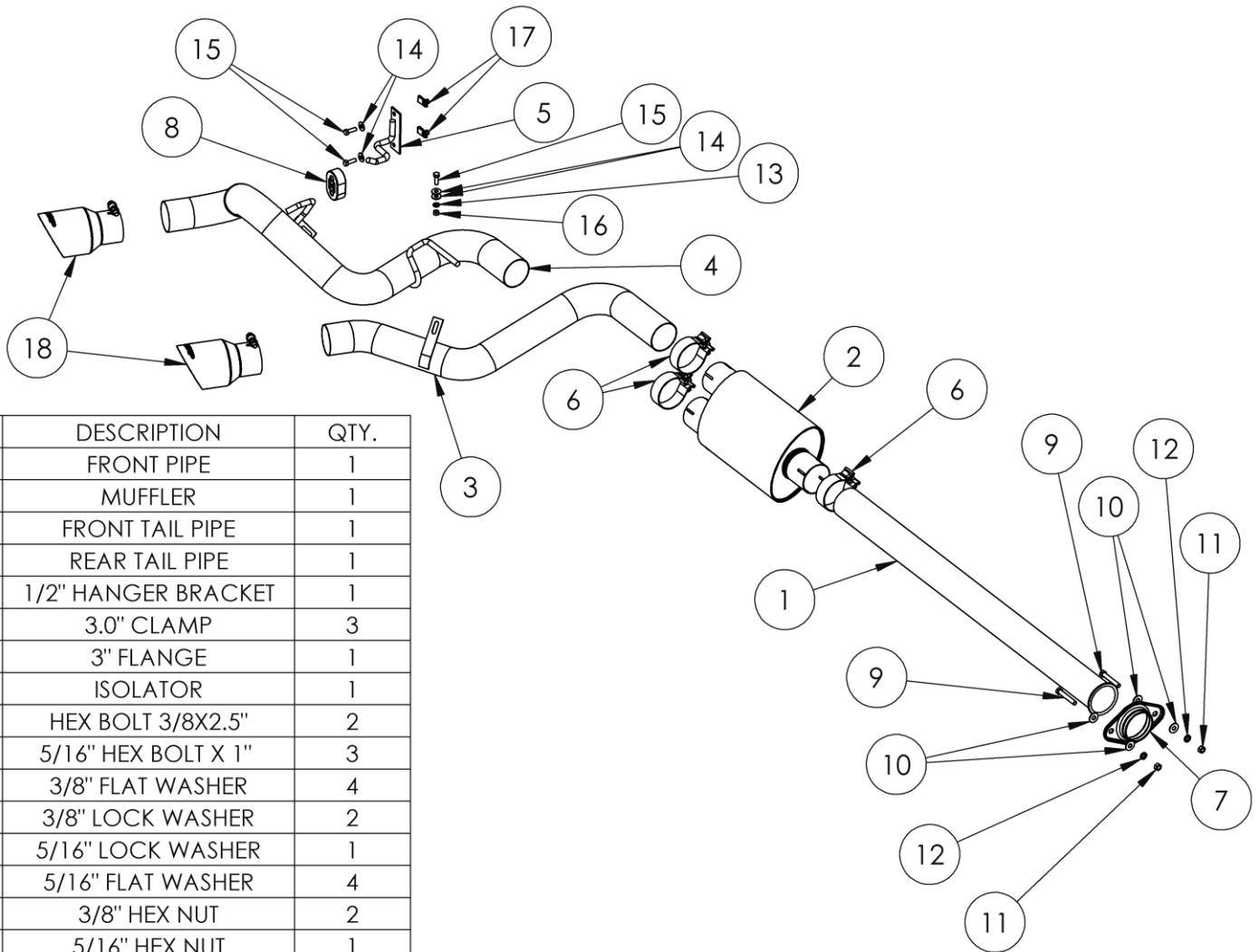


# S5261

2009-2014 FORD F-150 3.5L ECOBOOST,  
5.0L, 3.7L CAT-BACK, PRE-AXLE 3" DUAL  
OUTLET

# MBRP®



ITEM	DESCRIPTION	QTY.
1	FRONT PIPE	1
2	MUFFLER	1
3	FRONT TAIL PIPE	1
4	REAR TAIL PIPE	1
5	1/2" HANGER BRACKET	1
6	3.0" CLAMP	3
7	3" FLANGE	1
8	ISOLATOR	1
9	HEX BOLT 3/8X2.5"	2
10	5/16" HEX BOLT X 1"	3
11	3/8" FLAT WASHER	4
12	3/8" LOCK WASHER	2
13	5/16" LOCK WASHER	1
14	5/16" FLAT WASHER	4
15	3/8" HEX NUT	2
16	5/16" HEX NUT	1
17	PANEL NUT	2
18	EXHAUST TIP	2

## PLEASE READ BEFORE STARTING INSTALLATION

While MBRP has made every effort to ensure that all components of this system are of superior quality and properly packaged, it is the installer's responsibility to ensure the following before removal of the factory exhaust:

- that ALL components shown above are present.
- that ALL mating components fit together.
- that there are no damaged components.
- that the system you have purchased is appropriate for your vehicle year, model and configuration.
- that the system will not interfere with any modifications previously installed or planned.
- that you have read and understand these instructions.

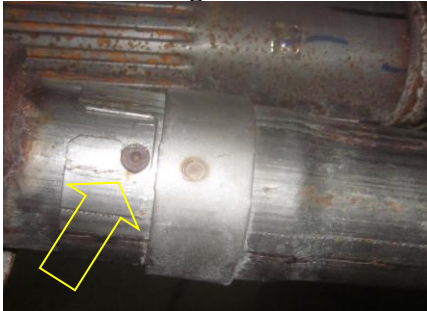
If you have any questions or are uncertain about any aspect of the installation of this system to your vehicle please contact your dealer before commencing installation.

# MBRP®

## Removal of Stock System:



**Figure 1**



**Figure 2**



**Figure 4**



**Figure 5**



**Figure 6**

1. Apply a penetrating lubricant liberally to all hangers and rubber isolators.
2. Loosen the factory clamp in front of the muffer.
3. Loosen the factory extension pipe flange bolts.

**Refer to Figure 1.**

4. Rotate the factory extension pipe to release the factory muffer inlet locking boss.

**Refer to Figure 2.**

5. Remove the factory muffer assembly from the hangers and remove from the vehicle.

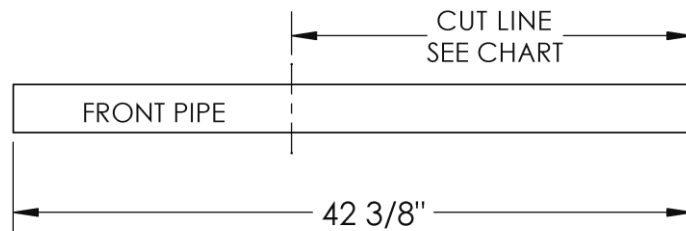
6. Remove the factory extension pipe bolts and remove the factory extension pipe from the vehicle.

## Installation of MBRP Performance Exhaust:

1. Determine the length of the **Front Pipe** and cut to length if required.

**Refer to Figure 3.**

WHEELBASE	CAB/BED	FRONT PIPE
126"	REG/6.5'	CUT TO 5"
145"	REG/8' S.CAB/6.5' S.CREW/5.5'	CUT TO 24"
157"	S.CREW/6.5'	CUT TO 36"
163"	S.CAB/8'	NO CUT



**Figure 3.**

2. Loosely install the **Front Pipe** using the supplied **3/8" Hardware**.

**Refer to Figure 4.**

3. Install the **Hanger Bracket** onto the outside of the passenger-side frame, in front of the leaf spring eye, using two **Panel Nuts**, two **5/16" Flat Washers**, and two **5/16" Bolts**. A Super Crew short box model is shown.

**Refer to Figures 5 and 6.**

# MBRP®



Figure 7

4. Using the **3" Clamp**, loosely install the **Muffler** onto the **Front Pipe** at approximately a 35 degree angle.

5. Using a **3" Clamp**, install the **Rear Tail Pipe** into the **Muffler** and into the factory isolator.

**Refer to Figure 7. (5.0L Shown)**

6. Install the **Rubber Isolator** onto the **Hanger Bracket** and **Rear Tail Pipe**. **Refer to Figure 8.**



Figure 8

7. Using a **3" Clamp**, install the **Front Tail Pipe** into the **Muffler**, keeping the mounting tab below the **Rear Tail Pipe** mounting tab and attaching with the supplied **5/16" Bolt, Washers and Nut**.

**Refer to Figure 9, Figure 10 and Page 1.**

8. Install the **Exhaust Tips** and adjust to your liking.

**Refer to Figure 11.**

9. Align the edge of each band clamp with the edge of the joint it is connecting. Tighten all hardware and clamps, starting at the front and working rearward to secure the system. Check along the full length of the exhaust system to ensure there is adequate clearance for fuel lines, vent lines, brake lines, frame, bodywork, suspension, and any wiring, etc. If there is any interference detected, relocate, or adjust to provide adequate clearance. Ensure all clamp connections are secure and components are unable to rotate or slide. Band clamps require approximately 45 lb-ft (60 N-m) of torque. Verify clearances, system security and band clamp torque after 30-60 miles (50-100 km) of driving

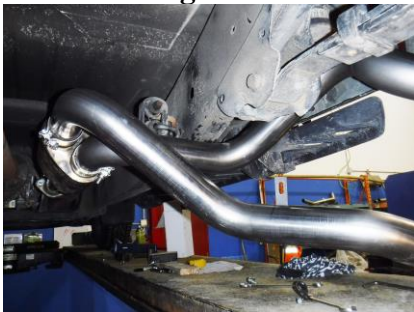


Figure 9



Figure 10



Figure 11



**Congratulations!** You are ready to begin enjoying the improved performance and driving experience of your **MBRP** performance exhaust system. We hope you enjoy your purchase.